

Safety Sulphur Evaporator SSV



Figure 1: Elstein SSV Safety Sulphur Evaporator

The Elstein SSV Safety Sulphur Evaporators are ceramic heating elements, which have a compartment for one-way aluminium cups, named sulphurpads.

Sulphurpads contain the sulphur, which gets evaporated by using the SSV.

The operating temperature configured on 190 °C is safely below the auto ignition temperature of sulphur.

The lateral hole in the heating element makes sure, that SSV is used together with the sulphurpad only.

As a summary, SSV Sulphur Evaporators are the optimal combination of operation safety, long heater service life and high evaporation performance. At the same time, cleaning and maintenance get reduced to a minimum.

Elstein SSV safety sulphur evaporators are available with a power of 75 W at 230 V.

SSV

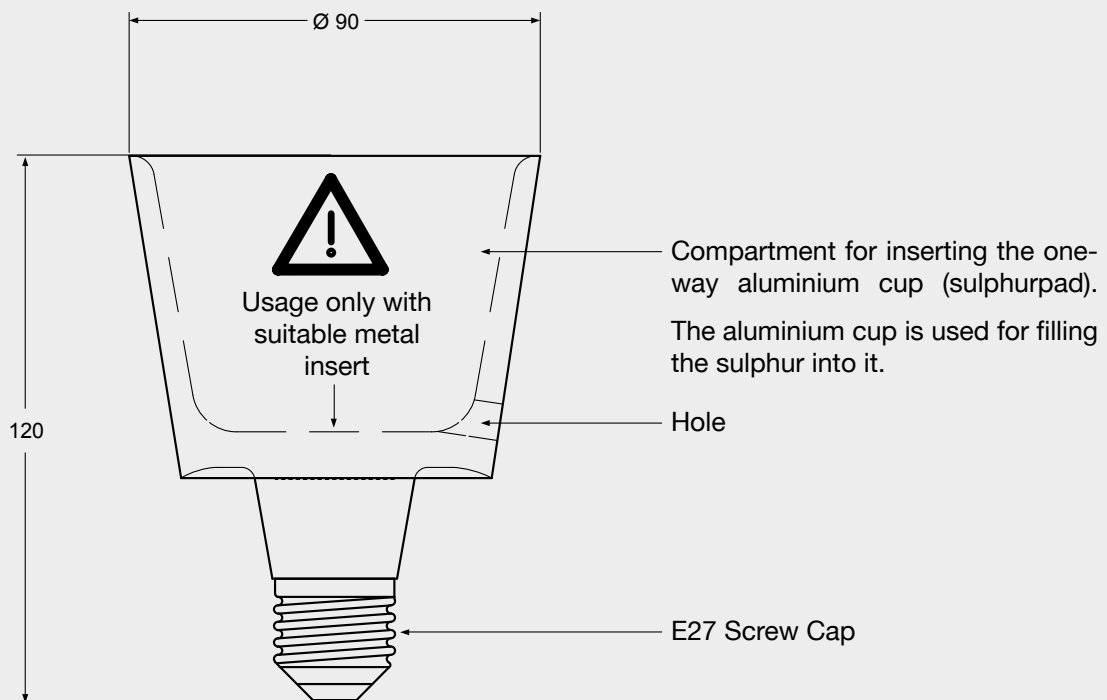


Figure 2: Dimensions in mm

Our instructions for mounting, operation and safety have to be observed.